

PPC-F Bay Trail Fanless Series

New

5.7"/8"/10.4" Fanless Intel® Bay Trail Solution

Features

- 5.7", 8" and 10.4" fanless industrial panel PC
- Quad-core Intel® Celeron® processor J1900 2.0GHz or dual-core Intel® Celeron® processor N2807 1.58GHz
- Low power consumption DDR3L memory supported
- IP 65 compliant front panel
- 9 V~30 V wide DC input
- SSD mSATA supported
- Dual GbE for backup
- -10°C~50°C extended operating temperature



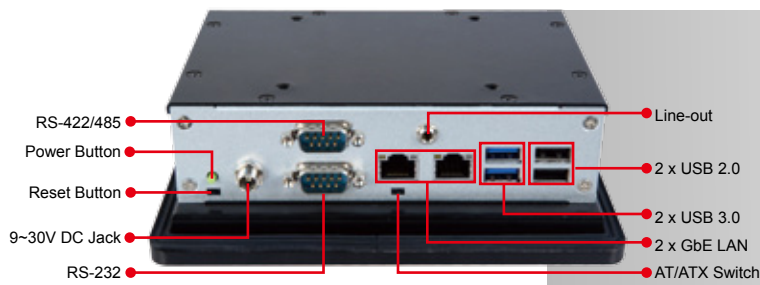
Specifications

Fanless

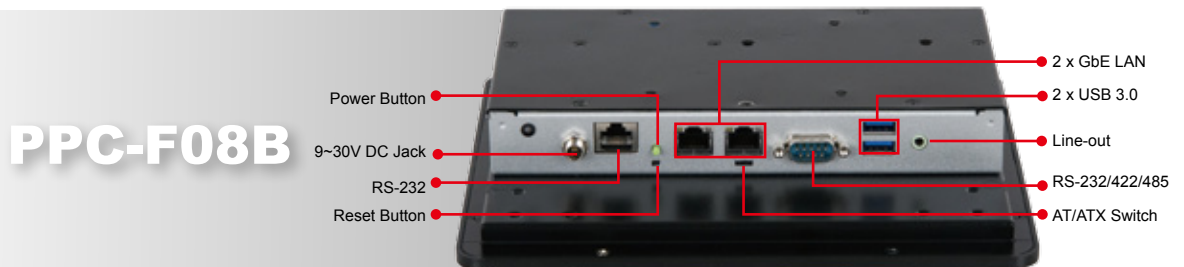
Fanless

Fanless

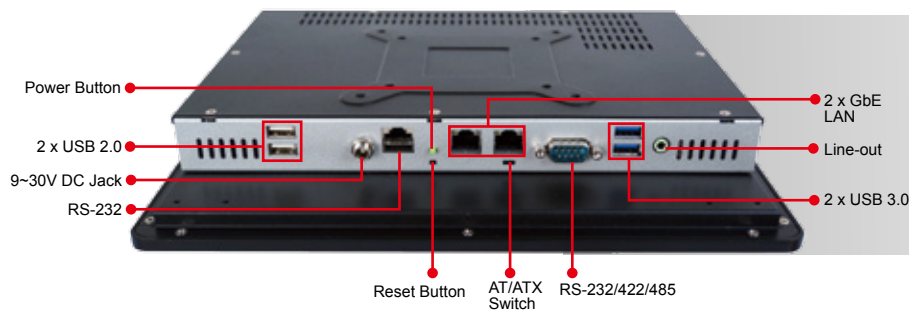
Model		PPC-F06B-BT	PPC-F08B-BT	PPC-F10B-BT
LCD	LCD Display	5.7" (4:3)	8" (4:3)	10.4"
	Max Resolution	640 (W) x 480 (H)	800 (W) x 600 (H)	800 (W) x 600 (H)
	Brightness (cd/m ²)	550	500	400
	Contrast Ratio	800:1	500:1	700:1
	LCD Color	262K	16.2M	16.2M
	Pixel Pitch (mm)	0.18(H) x 0.18(V)	0.2025(H) x 0.0675(V)	0.264(H) x 0.264(V)
	Viewing Angle (H-V)	160° / 140°	140° / 120°	160° / 140°
	Backlight MTBF (Hrs)	50000	25000	30000
Motherboard	CPU	Intel® Celeron® processor N2807 dual-core, 1.58GHz	Intel® Celeron® J1900 on-board SoC quad-core, 2GHz	
	RAM	2GB DDR3L 1600MHz On-board RAM (System max. 4GB by MOQ=300pcs)	2 x 204-pin DDR3L SO-DIMM slot (max. 8GB)	
Touch	Touchscreen & Controller	4-wire resistive type flat touch window, PenMount DMC9000	5-wire resistive type flat touchscreen	
	Surface Hardness	3H	3H	3H
Input Interfaces	I/O Ports & Switches	1 x RJ-45 LAN port 1 x RS-232 COM port (DB-9 connector) (RI/5V/12V) 1 x RS-422/485 2 x USB 3.0 2 x USB 2.0 1 x 9-30V lockable DC jack (2-pin) 1 x Audio port (line-out) 1 x Power switch 1 x Reset button 1 x AT/ATX switch	1 x RS-232 COM port (RJ-45 connector) 1 x RS-232/422/485 COM port (DB-9 connector) (RI/5V/12V) 2 x USB 2.0 2 x USB 3.0 2 x GbE LAN 1 x Power switch 1 x Reset button 1 x AT/ATX switch 1 x Audio port (line-out) 1 x 9 V~30 V lockable power jack	1 x RS-232 COM port (RJ-45 connector) 1 x RS-232/422/485 COM port (DB9 connector) (RI/5V/12V) 2 x USB 2.0 2 x USB 3.0 2 x GbE LAN 1 x Power switch 1 x Reset button 1 x AT/ATX switch 1 x Audio port (line-out) 1 x 9 V~30 V lockable power jack
		Expansion	1 x Full-size PCIe Mini slot (with mSATA, PCIe/USB signal)	1 x Full-size PCIe Mini slot (with mSATA/Pcie/USB signal) 1 x Half-size PCIe Mini slot for Wi-Fi modules
Wireless LAN		SMA antenna (optional)		
Storage	SSD	mSATA	mSATA	mSATA
	HDD	N/A	N/A	1 x 2.5" HDD bay
Physical	Construction Material	Aluminum front bezel		Stand/ Panel Mount/ Rack Mount/ VESA 75*75
	Mounting	Stand/ Panel Mount/ Rack Mount/ VESA 75*75	Stand/ Panel Mount/ Rack Mount/ VESA 75*75	Stand/ Panel Mount/ Rack Mount/ VESA 75*75/100*100 Mount
	Enclosure Color	Black C		
	Dimensions (mm)	136.4 x 178.5 x 56.3	182.2 x 222.2 x 44	232.4 x 285.2 x 44
	Net Weight	0.89kg	1.17kg	1.77kg
	Cut-out Dimensions (mm)	157.5 x 115.4	207 x 154	267.2 x 214.4
Environment	Operating Temperature (with air flow)	-10°C~50°C (14°F~122°F)		
	Storage Temperature	-20°C~60°C (-4°F~140°F)		
	Humidity	10% to 95% (non-condensing)		
	IP Level	IP 65 compliant front panel		
	Safety and EMC	CE & FCC Class A certified		
Power	Power Supply	9 V~30 V DC		
	Power Consumption	24W	38W	40W



PPC-F06B



PPC-F08B



PPC-F10B

Options

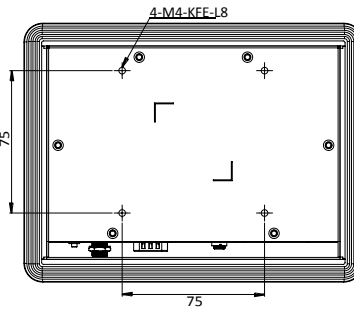
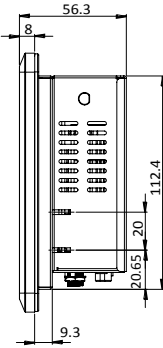
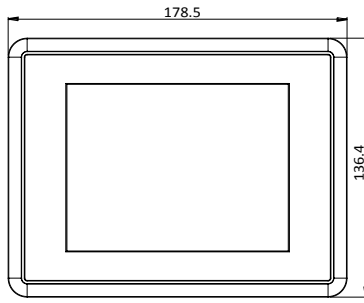
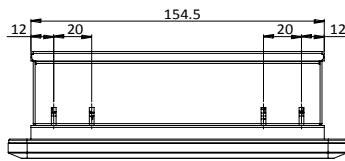
Packing List

Item	PPC-F06B	PPC-F08B	PPC-F10B
ARM	ARM-11-RS	ARM-11-RS	ARM-11-RS
Stand	STAND-100-RS STAND-B08	STAND-100-RS STAND-B08 STAND-C12-R10	STAND-100-RS STAND-B08 STAND-C12-R10
Wall Mount Kit	AFLWK-12	AFLWK-12	AFLWK-12
Panel Mount Kit	FPK-07-R10	FPK-07-R10	FPK-07-R10
WiFi Kit	PPC-WL-KIT02-R11		

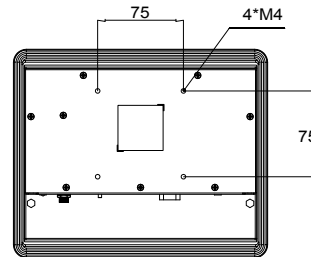
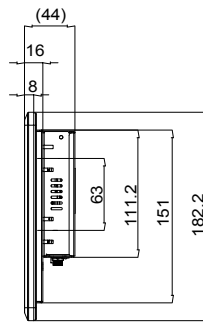
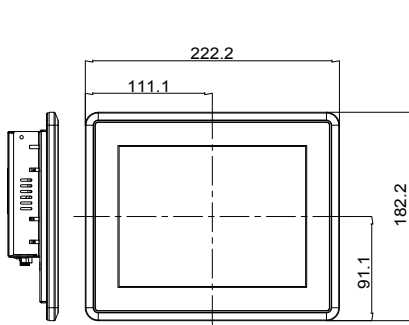
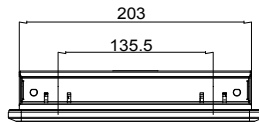
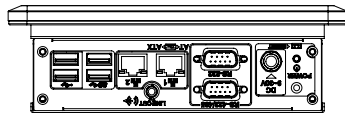
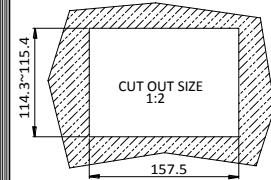
Item	Q'ty	Remark
PPC-FxxB-BTi Panel PC	1	
User Manual & Driver CD	1	
One Key Recovery CD	1	
Touch Pen	1	Resistive type models only P/N: 43125-0002C0-00-RS
Power Cord	1	Part numbers varies by regions
Screw Pack	1	Including necessary screws
Power Adapter	1	9V~36V DC

Ordering Information

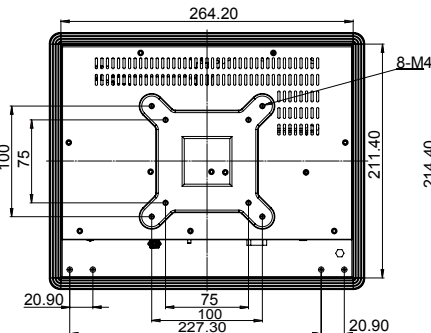
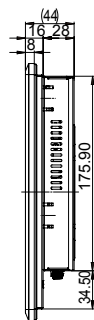
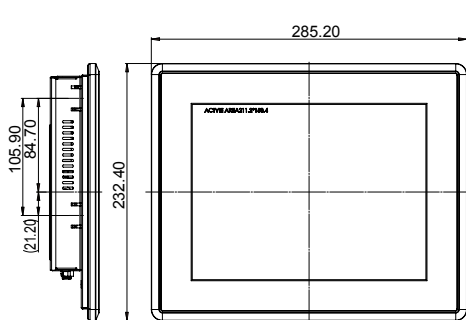
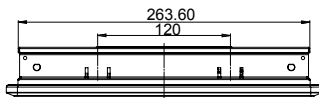
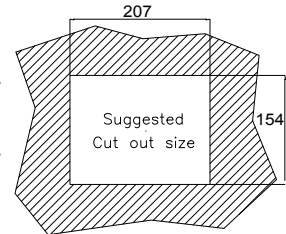
	Part Number	Description
6"	PPC-F06B-BT-N1/2G/R-R10	5.7" 450 cd/m ² VGA panel PC with Intel® Celeron® processor N2807, TDP 4.3W, 2GB on-board DDR3L RAM, black color, 9-30V DC input, resistive touch window, R10
8"	PPC-F08B-BT-J1/2G/R-R10	8" 500 cd/m ² SVGA panel PC with Intel® Celeron® processor J1900, TDP 10W, 2GB DDR3L RAM, black color, 9-30V DC input, resistive touch window, R10
10"	PPC-F10B-BT-J1/2G/R-R10	10.4" 400 cd/m ² SVGA panel PC with Intel® Celeron® processor J1900, TDP 10W, 2GB DDR3L RAM, black color, 9-30V DC input, resistive touch window, R10



PPC-F06B-BT
Dimensions (Unit: mm)



PPC-F08B-BT
Dimensions (Unit: mm)



PPC-F10B-BT
Dimensions (Unit: mm)

